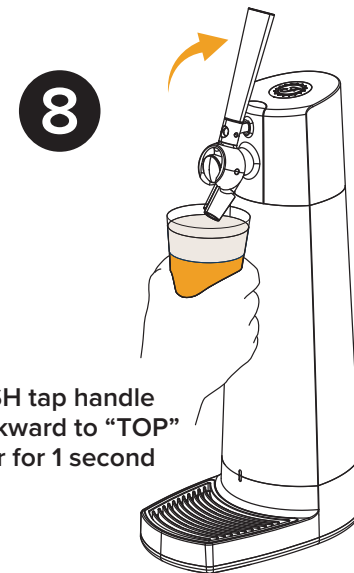
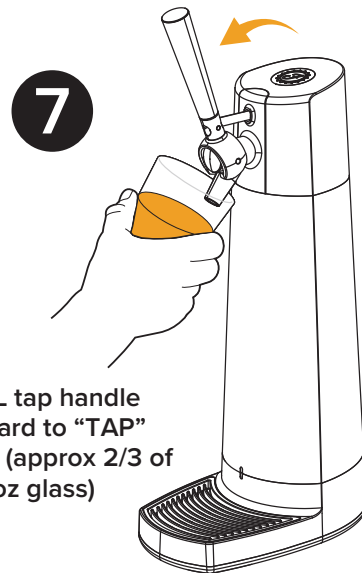
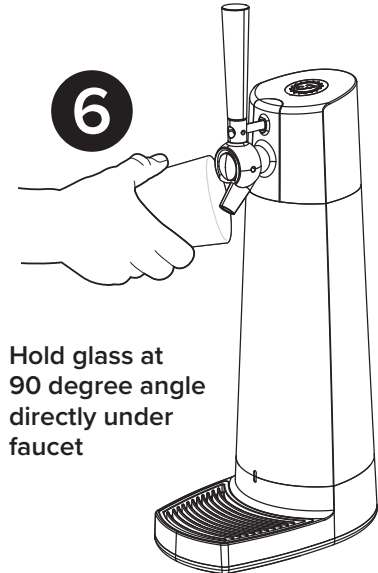
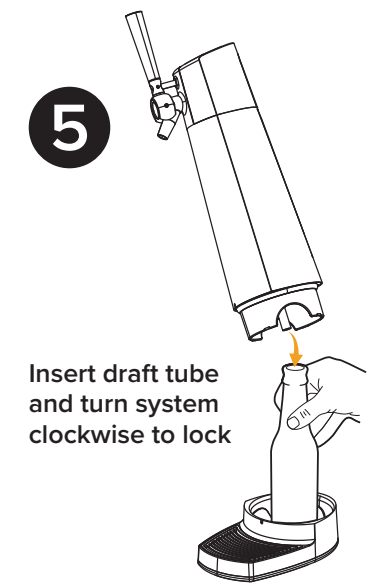
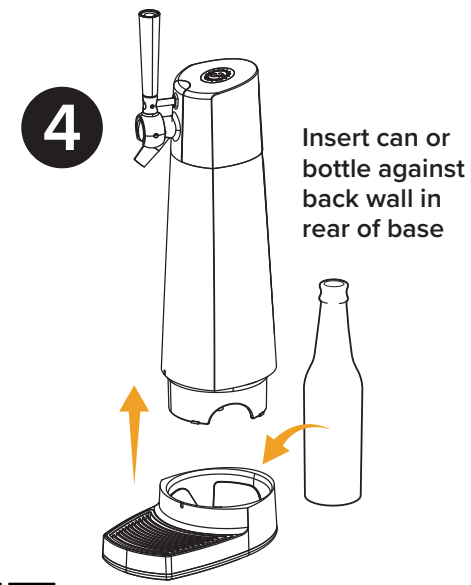
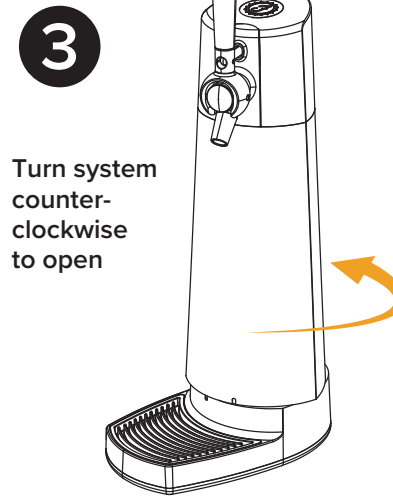
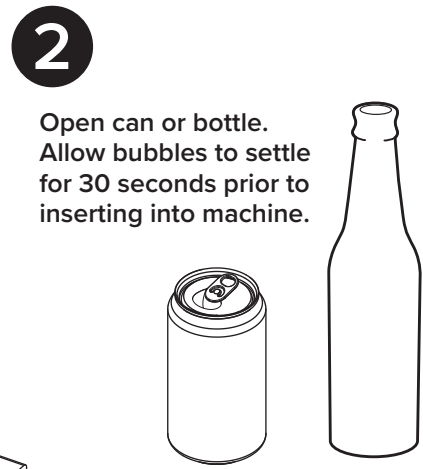
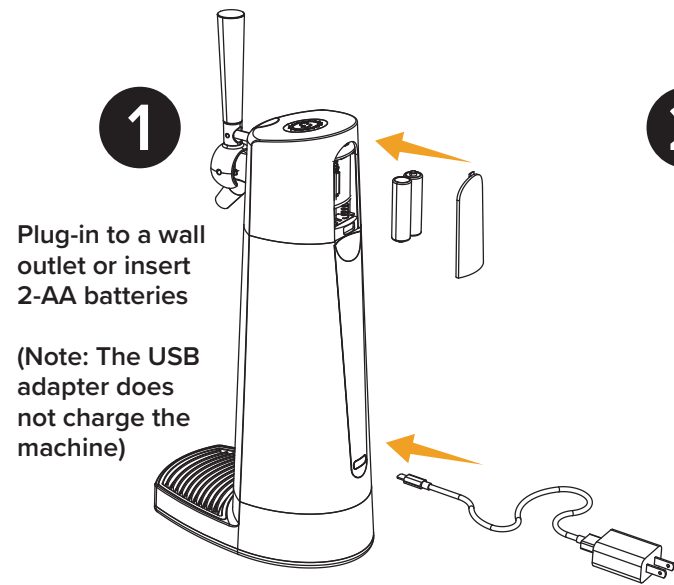




# Quick Start Guide





Checkout the DraftPour Perfect Pour Tutorial



Questions about the operation of your DraftPour?  
Contact us at [support@fizzicsgroup.com](mailto:support@fizzicsgroup.com)

**TIP:** Holding the glass at an angle helps avoid pouring "bad" foam while tapping beers with higher carbonation levels. Straighten the glass as the glass fills to avoid spillage.

**TIP:** DraftPour uses air pressure to push beer up the draft tube. When the can or bottle is empty the faucet can spit. To avoid this, "tap" less beer until becoming familiar with the ideal amount.

### System Cleaning

**DraftPour MUST be cleaned per these instructions after use. DO NOT let beer residue dry in the machine.**

- Place a glass or washed bottle filled with warm water into the system, insert tube and return system to base.
- Use a separate glass under faucet and pull the handle forward to run water through DraftPour for 4-5 seconds.
- Drip mat and base separate for easy soap and water cleaning. If necessary wipe off system with micro fiber cloth.
- Allow system to air-dry off base over night.
- **IMPORTANT: (1) DO NOT PUT ANY PART OF THE DRAFTPOUR INTO THE DISHWASHER (2) DO NOT POUR ANY LIQUID DIRECTLY INTO THE DRAFTPOUR SYSTEM (3) DO NOT ATTEMPT TO REMOVE THE DRAFT TUBE**
- **IMPORTANT: IF WATER ISN'T FLOWING OR FLOWING SLOWLY DURING CLEANING, THE DRAFT TUBE MAY BE BOTTOMING OUT DUE TO THE THICKNESS OF THE BOTTOM OF THE GLASS. TRY USING A DIFFERENT GLASS.**

